

Autorobot® Micro C

QUICK, ECONOMICAL
CAR STRAIGHTENING BENCH

Autorobot®



Multifunctional Star set is suitable for
fastening all kind of cars



✚ Technology
from FINLAND

COLLISION
REPAIR SYSTEMS

Autorobot[®] Micro C

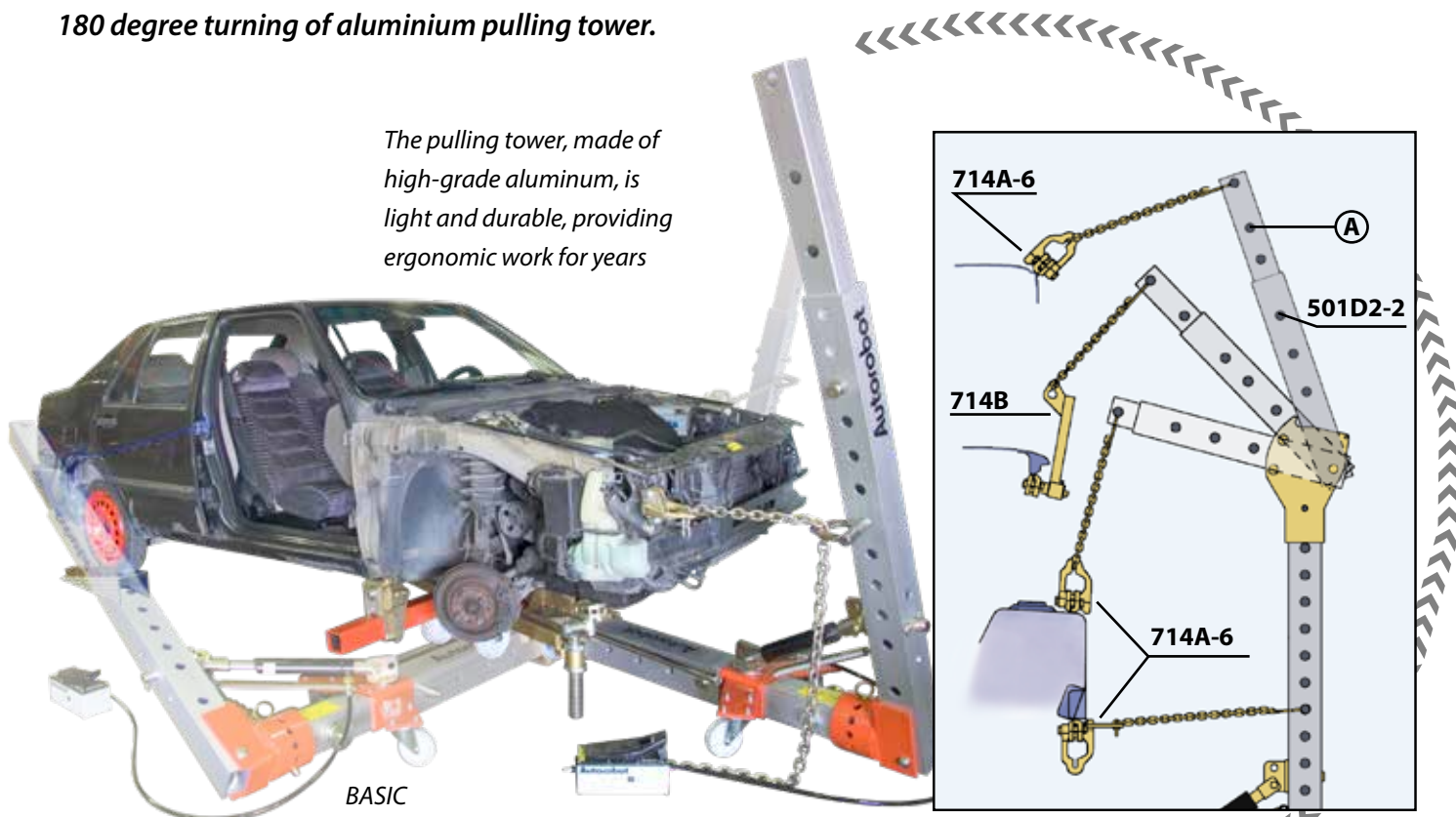
QUICK, ECONOMICAL CAR STRAIGHTENING BENCH

Autorobot Micro C

New Autorobot Micro C for quick repair of small and medium-sized damages; speed is achieved by new lift drive-on ramps system and a single-bolt sill clamps. Special feature of Micro C is its suitability for all type of straightening work of passenger cars and vans, allowing a quick performance thanks to 180 degree turning of aluminium pulling tower.

Due to its compact design, it is also ideal for small body shops. With extra pulling tower, Micro C is also suitable for more demanding body straightening work.

The pulling tower, made of high-grade aluminum, is light and durable, providing ergonomic work for years



Versatile, patented pulling tower makes quick work of straightening. Adjusting the correct pulling angle takes seconds only. Straight upwards pulls are easy thanks to the telescopic upper beam which can be set in three positions. 501D2-2 is an optional equipment

- Downward pulling wheel
- 10-Ton pull beam
- 10-Ton hydraulics



Autorobot[®] Micro C

QUICK, ECONOMICAL CAR STRAIGHTENING BENCH

- Super-quick vehicle fastening with one-bolt chassis clamps
- Easily adjust to pull in all directions (up, down, sideways)
- Smart design reduces stress on technician
- More straightening units can be added to the system with a low investment



Adjustable support

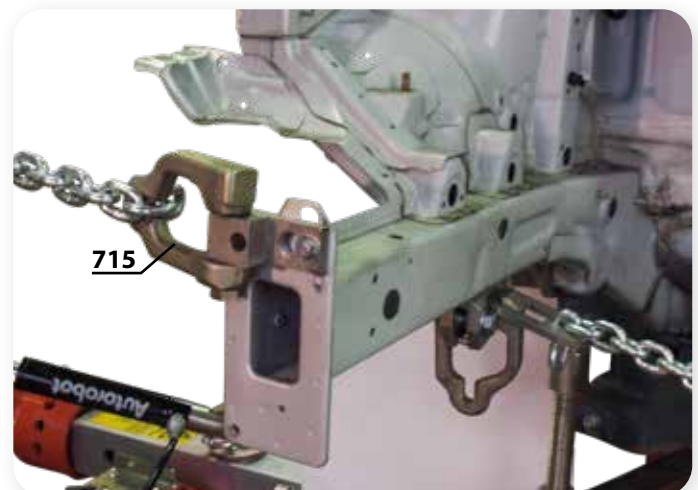
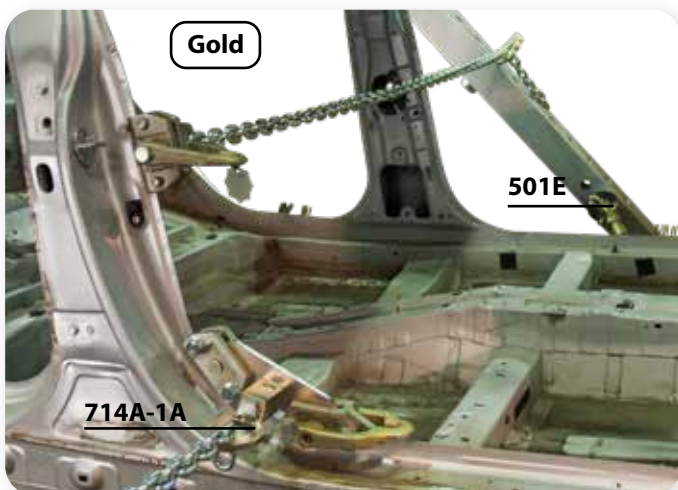
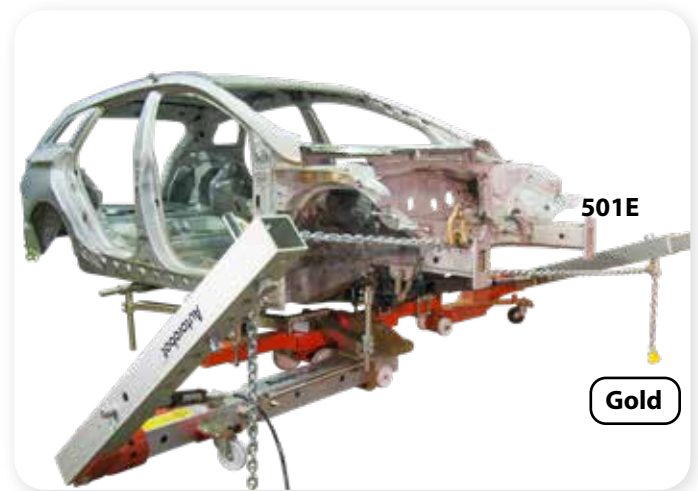


Autorobot® Micro C

QUICK, ECONOMICAL CAR STRAIGHTENING BENCH



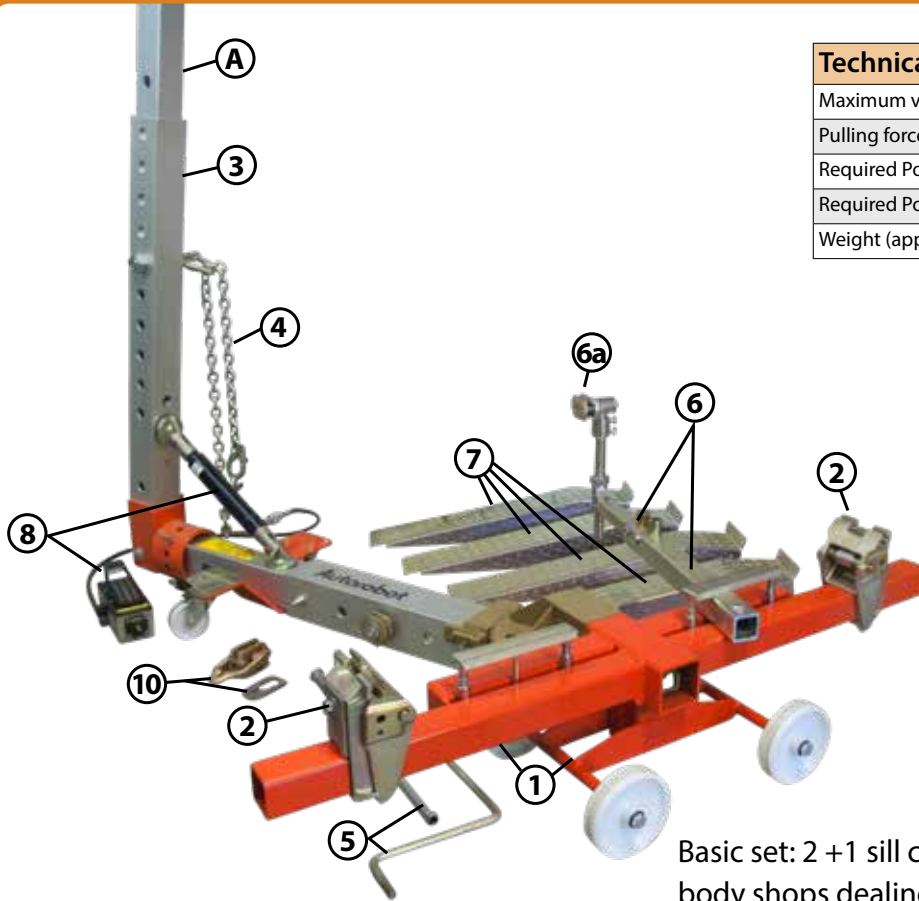
Autorobot Micro C Gold set includes extra straightening tower, which makes it suitable also for more demanding body straightening work



Autorobot[®] Micro C

QUICK, ECONOMICAL CAR STRAIGHTENING BENCH

Basic set Equipment



Technical information

Maximum vehicle weight	3000 kg / 6600 lbs
Pulling force	n. 10 t
Required Power	Air pressure
Required Power	4 x 5.5 m / 13.1 x 18.0 ft
Weight (approx.)	523 kg / 1153 lbs



Basic set: 2 +1 sill clamps and 1 pulling tower for body shops dealing with small and medium-sized damages of vehicles with a pinch weld.

Basic Set Equipment

- | | |
|---|------|
| 1. Frame | 1 pc |
| 2. 162+ Sill clamp | 2 pc |
| 3. 501D2- Pulling tower | 1 pc |
| 4. 673 Chain 2,5 m | 1 pc |
| 5. 505 Wrench | 1 pc |
| 6. 678 Support beam | 3 pc |
| 6a. 678-1 Adjustable support | 1 pc |
| 7. 504B Ramp (2 + 2) | 4 pc |
| 8. 490 10t hydraulics (cylinder + pump) | 1 pc |
| 9. 506A Jacking beam | 1 pc |
| 10. 714A-6 Multifunctional gripper | 1 pc |

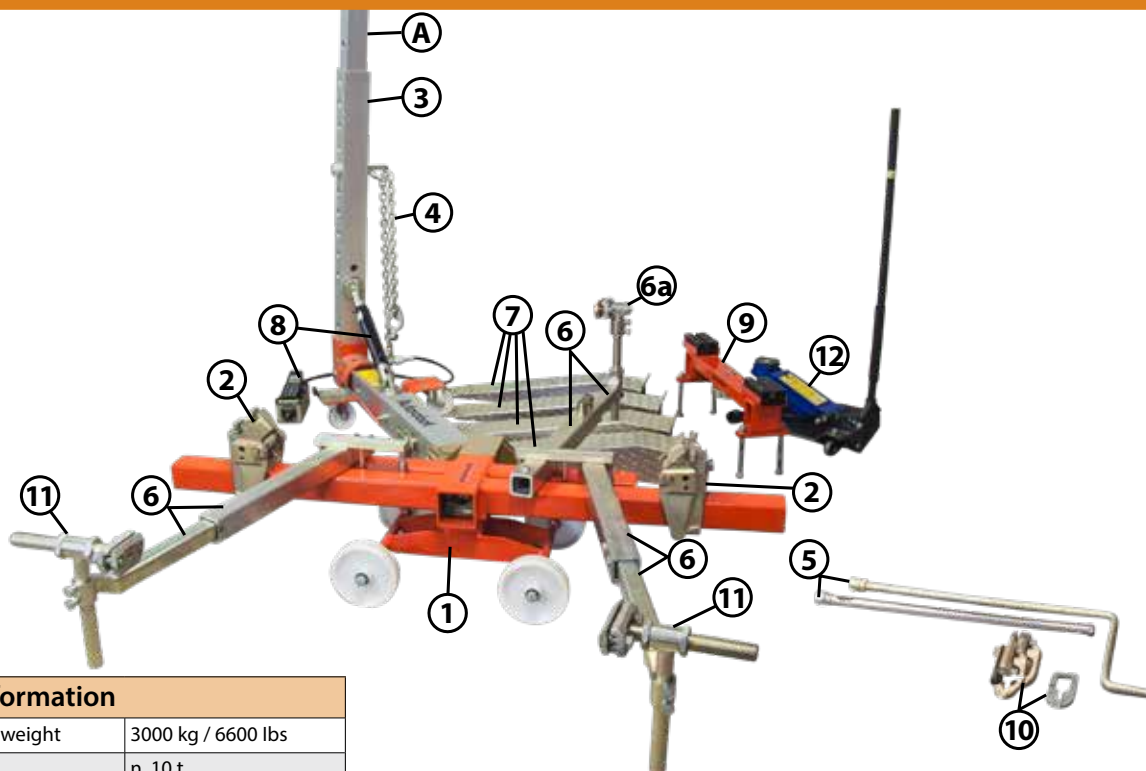


Micro C is also great for smaller body shops thus it takes only very small space from the floor.

Autorobot® Micro C

QUICK, ECONOMICAL CAR STRAIGHTENING BENCH

Silver set Equipment



Technical information

Maximum vehicle weight	3000 kg / 6600 lbs
Pulling force	n. 10 t
Required Power	Air pressure
Required Power	4 x 5.5 m / 13.1 x 18.0 ft
Weight (approx.)	636 kg / 1400 lbs

* Silver set: 4 + 1 sill clamps and 1 pulling tower for body shops dealing with small and medium-sized damages of vehicles with a pinch weld.

Silver Set Equipment

1.	Frame	1 pc
2.	162+ Sill clamp	2 pc
3.	501D2- Pulling tower	1 pc
4.	673 Chain 2,5 m	1 pc
5.	505 Wrench	1 pc
6.	678 Support beam	3 pc
6a.	678-1 Adjustable support	3 pc
7.	504B Ramp (2 + 2)	4 pc
8.	490 10 t hydraulics (cylinder + pump)	1 pc
9.	506A Jacking beam	1 pc
10.	714A-6 Multifunctional gripper	1 pc
11.	164 Chassis fastener	2 pc
12.	740 + Jack (2,5 - 3,0 t)	1 pc

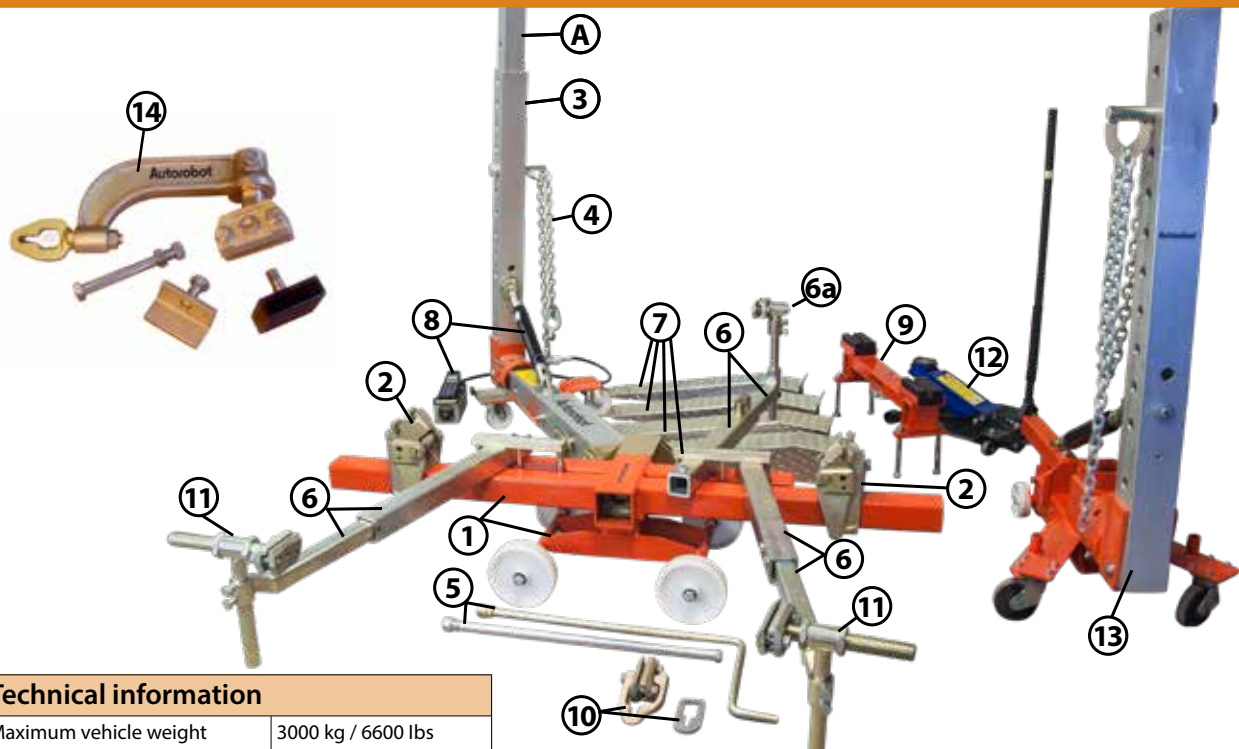


Silver

Autorobot[®] Micro C

QUICK, ECONOMICAL CAR STRAIGHTENING BENCH

Gold set Equipment



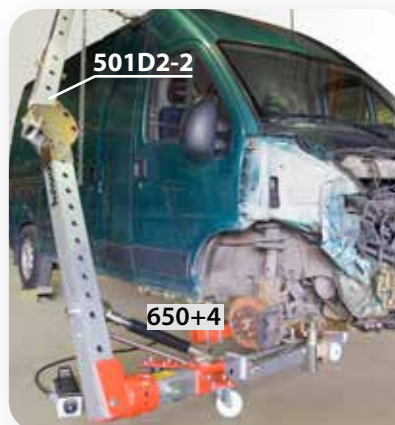
Technical information

Maximum vehicle weight	3000 kg / 6600 lbs
Pulling force	n. 10 t
Required Power	Air pressure
Required Power	4 x 5.5 m / 13.1 x 18.0 ft
Weight (approx.)	815 kg / 1800 lbs

* Gold set: 4 + 1 sill clamps and 1 + 1 pulling tower for body shops dealing with small, medium-sized and demanding repair jobs including straightening of frame structures of vehicles with a pinch weld.

Gold Set Equipment

1	Frame	1 pc
2	162+ Sill clamp	2 pc
3	501D2- Pulling tower	1 pc
4	673 Chain 2,5 m	1 pc
5	505 Wrench	1 pc
6	678 Support beam	3 pc
6a	678-1 Adjustable support	1 pc
7	504B Ramp (2 + 2)	4 pc
8	490 10t hydraulics (cylinder + pump)	1 pc
9	506A Jacking beam	1 pc
10	714A-6 Multifunctional gripper	1 pc
11	164 Chassis fastener	2 pc
12	740 + Jack (2,5 - 3,0 t)	1 pc
13	501E Pulling tower with hydraulics	1 pc
14	714 B Satellite straightening set	1 pc



Accessories

650 + 4

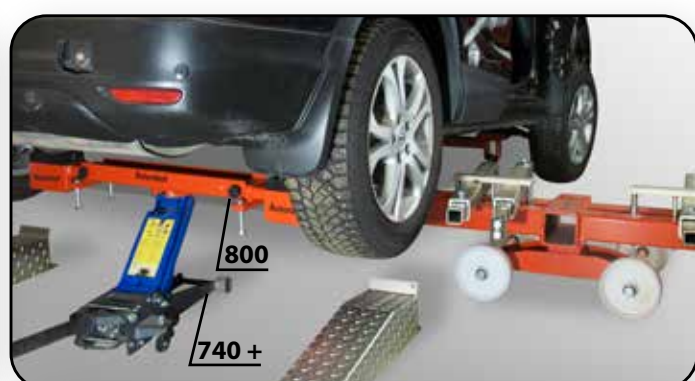
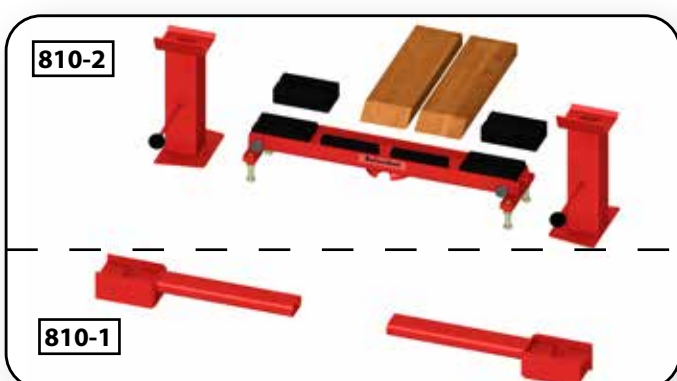
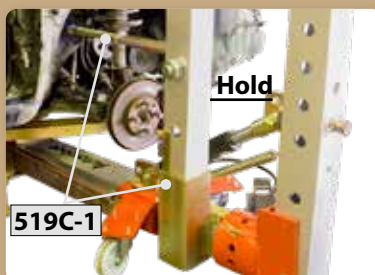
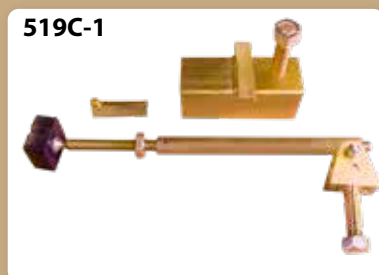
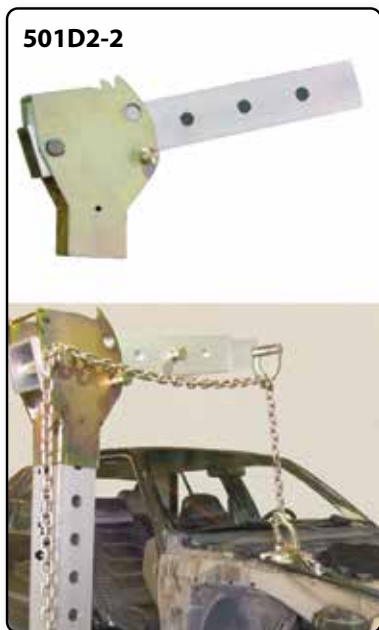


650+4 Fastener set works in all passenger and commercial vehicles. It allows mounting of the vehicle from the upper seam of the rocker panel, which provides quick fastening of the vehicle without a pinch weld. With additional set the mounting from the vehicle frame (pick ups) is also possible.

Autorobot[®] Micro C

QUICK, ECONOMICAL CAR STRAIGHTENING BENCH

Accessories



Multifunctional jacking beam lifts the rear part of the car, which speeds up and makes installing of Micro C under the car easier. Jacking beam works with garage jack also in other lifting needs of the car.

Manufacturer



Yrittäjätie 23, 70150 Kuopio

Tel. +358 10 322 5711

Email: autorobot@autorobot.fi

www.autorobot.fi